

# Enhanced Performance and Protection for your Compressed Air and Gas System.



PNEUMATIC PRODUCTS

## PPC Small Flow Filter Housings (35-100 scfm)

### DESCRIPTION

Three sizes of "T" type housings designed for flows to 100 scfm at 100 psig. Fabricated using epoxy coated aluminum for the 35 and 60 scfm sizes and epoxy coated carbon steel for the 100 scfm size.

Designed specifically for use with PPC high performance air and gas filter cartridges.

### APPLICATIONS

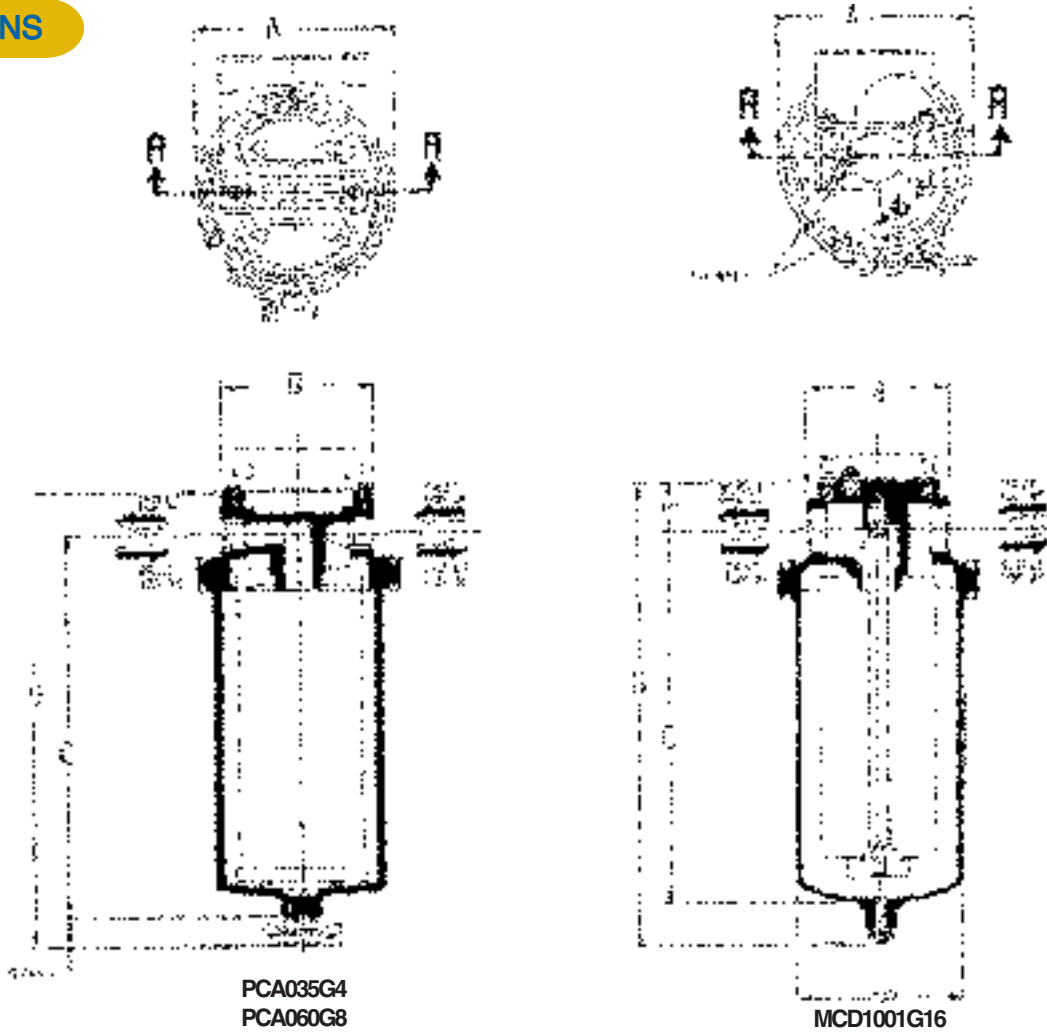
For use as coalescing or particulate filter housings for compressed air to 150 psig. May be used as pre- and after-filters for all dryers or as point-of-use filters for controls, instruments, and equipment.

### FEATURES AND BENEFITS

- Drop away canister access for simple element change-out.
- Stainless steel V-band locks head to housing with captive seal for removal and attachment.
- Buna N O-ring seals prevent leakage paths which permit contamination downstream.
- Corrosion resistant coatings for longer housing life.
- Low housing  $\Delta P$  saves dollars (1-psi pressure drop costs, on average, \$78 per year per 100 scfm at 7¢ per kwh).
- Single cartridge design for easy, rapid filter change-out.
- 1/4" NPT drain port enables housings to be used without expensive after-purchase modification.
- In-line connection style accommodates easy replacement of existing hardware.
- Slip-on or tie-on construction allows easy element change-out.
- High element surface area yields long service life (typically 1+ years)
- Particulate removal - 0.9 $\mu$ m absolute  
0.07 $\mu$ m 98% efficiency



## DIMENSIONS



PCA035G4  
PCA060G8

MCD1001G16

## SPECIFICATIONS

SCFM*	Model No.	Connection Size	Housing Diameter	A	B	C	D	Clearance Needed Below	PSID		
									Super SU		AF/HT Dry & Clean
									Dry & Clean	Saturated	
35	PCA035G4	1/4" NPT	3"	3.62	2.75	7.06	8.37	6"	2.0	2.6	1.8
60	PCA060G8	1/2" NPT	3"	3.62	2.75	7.31	8.87	6"	2.7	3.6	2.3
100	MCD1001G16**	1" NPT	4"	4.87	3.50	11.7	14.1	10"	1.0	1.6	.8

\*SCFM and PSID at 100 psig and 100°F

See Bulletin #PIS100, PIS102 and PIS113 for filter cartridges selections and specifications.

\*\*Model MCD1001G16 Ñ optional Viton A seals for use in high temperature applications (to 400°F).

Because of our policy of continuous improvement, some information, specifications and dimensions contained herein may be revised.

## SPX PNEUMATIC PRODUCTS

4647 SW 40th Avenue  
Ocala, Florida 34474-5799  
Tel (352)237-5500  
Fax (352)873-5187  
E-Mail pneumatic.products.sales@airtreatment.spx.com  
Web www.pneumaticproducts.com

©Pneumatic Products 2003  
PIS-109d 9/03

DISTRIBUTED BY: